



(Fan with Humidity Sensor - 110 CFM)

	Full Speed:	Low Speed:		
	110 CFM/<0.3 Sones @ 0.1 SP, 12.7 Watts 96 CFM/1.2 Sones @ 0.25 SP, 15.6 Watts	60 CFM/<0.3 Sones @ 0.1 SP, 6.2 Watts 56 CFM/0.4 Sones @ 0.25 SP, 10.8 Watts		

Description

Low noise ceiling mount ventilating fan with humidity sensor rated for continuous running. Fan has been awarded ENERGY STAR® Most Efficient in 2014. It is HVI, UL, and cUL certified, and can be used to comply with ASHRAE 62.2 (local and whole building continuous and intermittent operation). Meet CA Title 24 and CALGreen requirements.

Motor/Blower

- Power rating of 120 volts/60Hz
- DC brushless motor engineered to run continuously
- Motor equipped with thermal cutoff fuse
- Removable with permanently lubricated plug-in motor

Housing

- Galvanized steel body
- Detachable 4" diameter metal duct adapter
- Built-in backdraft damper
- Easy installation with expandable extension bracket

Grille

- Attractive design using ABS material
- Attaches directly to housing with torsion springs

LED Indicator

- Blue and amber LED indicator lights to show continuous low speed and full speed modes

Warranty

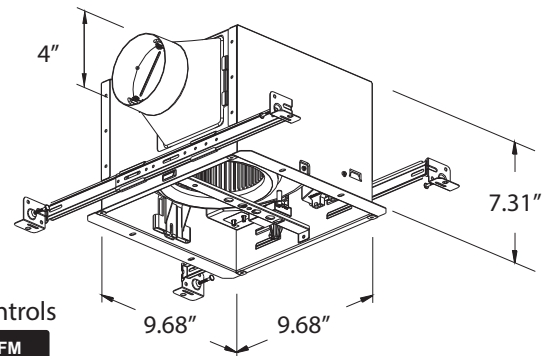
- 3-year limited warranty

Features

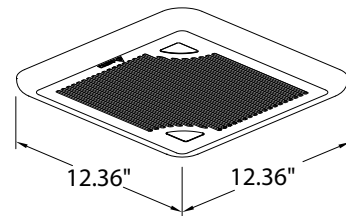
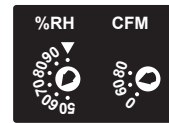
- Adjustable humidity set points between ~50% to ~90% RH
- Adjustable low speed airflow
- For ceiling mount only, airflow of 110 CFM (±10%), and <0.3 Sones at 0.1" static pressure
- Power consumption approximately 12.7 Watts with an efficiency rating at approximately 8.7 CFM/Watt at 0.1" static pressure
- Duct diameter no less than 4"
- UL and cUL listed for tub/shower enclosure when used with GFCI-protected branch circuit wiring

DC Motor Technology

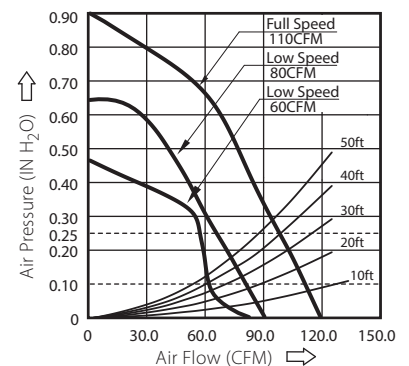
- Allows fan to operate in full speed mode or humidity control mode by manual switch
- For humidity control mode, when humidity is above the user-adjustable set-point, fan runs at full speed (110 CFM). When humidity is below the set-point, the fan runs continuously at a pre-set lower level (0, 60, 80 CFM)
- Built-in soft start function to increase bearings' life
- Automatically powers OFF when impeller is locked abnormally



Built-in Controls



Fan Curve



BreezSignature SIG110H	4" Duct (Standard)					
Static Pressure (inches w.g.)	0.1	0.25	0.1	0.25	0.1	0.25
Air Flow (CFM)	60	56	80	65	110	96
Sones	<0.3	0.4	<0.3	0.5	<0.3	1.2
Power Consumption (Watts)	6.2	10.8	8.2	10.8	12.7	15.6
Energy Efficiency (CFM/Watt)	9.9	5.3	9.8	6.0	8.7	6.2
Current (Amps)	0.38 Max					
Power Rating (V/Hz)	120/60					

Model	Quantity	Comments	Project:
			Location:
			Architect:
			Engineer:
			Contractor:
			Submitted by:
			Date: