



4" Duct (Standard):
80 CFM/1.3 Sones @ 0.1 SP, 10.5 Watts
54 CFM @ 0.25 SP, 8.2 Watts



Description

Low noise ceiling mount ventilating fan, light, and heat. Underwriter Laboratories (UL) and Home Ventilating Institute (HVI) certified.

Motor/Blower

- Power rating of 120 volts/60Hz
- DC brushless motor engineered to run continuously
- Motor equipped with thermal cutoff fuse
- Removable with permanently lubricated plug-in motor

Housing

- Galvanized steel body
- Detachable 4" diameter duct adapter
- Built-in backdraft damper
- Easy installation

Grille

- Attractive design using PBT material

Light

- (1) GU24 26-watt CFL (compact fluorescent lamp) included
- Main light output 1850 Lumens, 2700K

Warranty

- 3-year limited warranty

Features

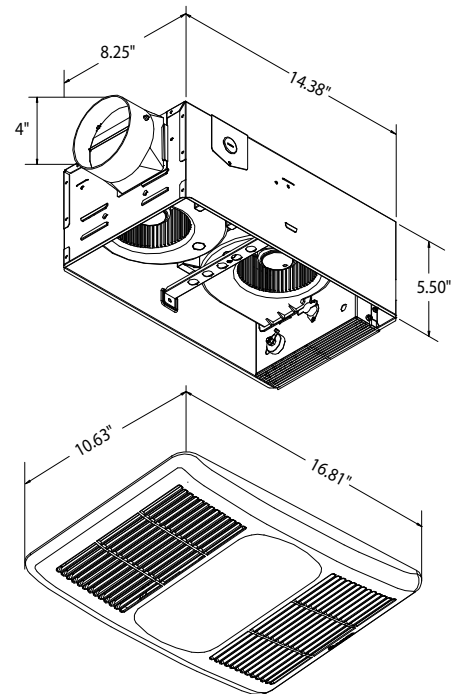
- Built-in thermostat to regulate temperature
- Metal guard to help prevent user contact with heating wire
- For ceiling mount only, airflow of 80 CFM (±10%) and 1.3 Sones at 0.1 static pressure
- Power consumption approximately 10.5 Watts with an efficiency rating approximately 7.6 CFM/Watt
- Duct diameter no less than 4"

DC Motor Technology

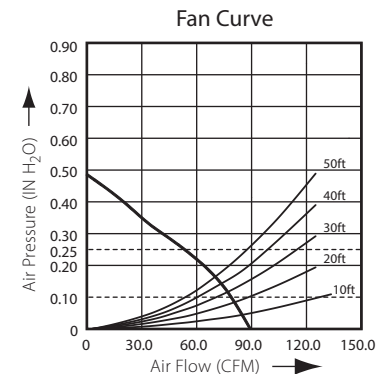
- Built-in soft start function to increase bearings' life
- Automatically powers OFF when impeller is locked abnormally

Heater

- 1300W heating element conforms to UL safety standards
- Heater module equipped with thermal cutoff fuse and thermostat



BreezRadiance RAD80L	4" Duct (Standard)	
Static Pressure (inches w.g.)	0.1	0.25
Air Flow (CFM)	80	54
Sones	1.3	N/A
Power Consumption (Watts)	10.5	8.2
Energy Efficiency (CFM/Watt)	9.7	5.6
Current (Amps)	12	
Power Rating (V/Hz)	120 / 60	
Heating element (Watts)	1300	
Lamp (Watts)	26	
Total power (Watts)	1340	



Model	Quantity	Comments	Project:
			Location:
			Architect:
			Engineer:
			Contractor:
			Submitted by:
			Date: