



	<p>4" Duct (Standard): 80 CFM/0.8 Sones @ 0.1 SP, 11.6 Watts 63 CFM/1.1 Sones @ 0.25 SP, 11.1 Watts</p>		
--	--	--	--

Description

Low noise ceiling mount ventilating fan/LED light rated for continuous running. Fan is ENERGY STAR® qualified, HVI, UL and cUL certified to comply with ASHRAE 62.2 local and whole building continuous and intermittent operation. Meets CA Title 24 requirements.

Motor/Blower

- Power rating of 120 volts/60Hz
- DC brushless motor engineered to run continuously
- Motor equipped with thermal cutoff fuse
- Removable with permanently lubricated plug-in motor

Housing

- Galvanized steel body
- Detachable 4" diameter duct adapter
- Built-in backdraft damper
- Easy installation

Grille

- Attractive design using ABS material
- Attaches directly to housing with torsion springs

Light

- (1) 11-Watt LED lamp included
- Main light output 791 Lumens, 2700K

Warranty

- 3-year limited warranty.

Features

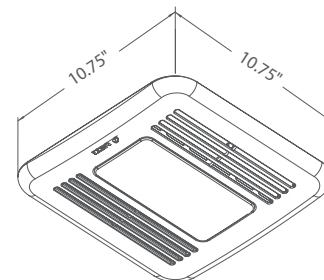
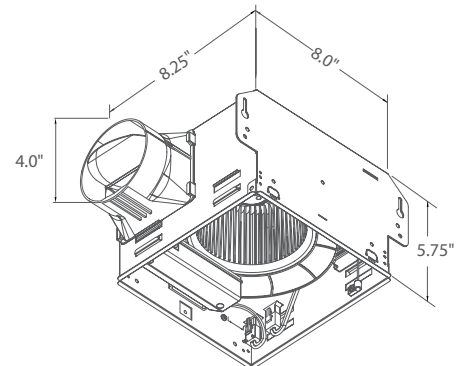
- For ceiling mount only, airflow of 80 CFM (±10%) and 0.8 Sones at 0.1" static pressure
- Power consumption approximately 11.6 Watts with an efficiency rating approximately 6.8 CFM/Watt at 0.1" static pressure
- Duct diameter no less than 4"
- UL and cUL listed for tub/shower enclosure when used with GFCI-protected branch circuit wiring

DC Motor Technology

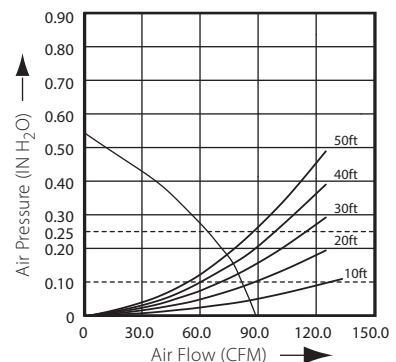
- Built-in soft start function to increase bearings' life
- Automatically powers OFF when impeller is locked abnormally

LED Indicator

- Turn the power switch on/off to operate on/off. LED indicator will be green when power is on



Fan Curve



BreezGreenBuilder GBR80LED	4" Duct (Standard)	
Static Pressure (inches w.g.)	0.1	0.25
Air Flow (CFM)	80	63
Sones	0.8	1.1
Power Consumption (Watts)	11.6	11.1
Energy Efficiency (CFM/Watt)	6.8	5.6
Current (Amps)	0.30 Max	
Power Rating (V/Hz)	120 / 60	
LED Main Light (Watt)	11	

Model	Quantity	Comments	Project:
			Location:
			Architect:
			Engineer:
			Contractor:
			Submitted by:
			Date: