



	<p>4" Duct (Standard): 80 CFM / 0.6 Sones @ 0.1 SP, 10.5 Watts 69 CFM / 1.1 Sone @ 0.25 SP, 12.5 Watts</p>		
--	---	--	--

Description

Low noise ceiling/wall mount ventilating fan rated for continuous running. Fan has been awarded ENERGY STAR® Most Efficient in 2014. It is HVI, UL, and cUL certified, and can be used to comply with ASHRAE 62.2 (local and whole building continuous and intermittent operation), CA Title 24, and CALGreen requirements.

Motor/Blower

- Power rating of 120 volts/60Hz
- DC brushless motor engineered to run continuously
- Motor equipped with thermal cutoff fuse.
- Removable with permanently lubricated plug-in motor

Housing

- Galvanized steel body
- Detachable 4" diameter duct adapter
- Built-in backdraft damper
- Easy installation

Grille

- Attractive design using ABS material
- Attaches directly to housing with torsion springs

LED Indicator

- Turn the power switch on/off to operate on/off.
LED indicator will be green when power is on

Warranty

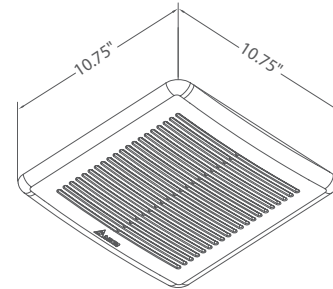
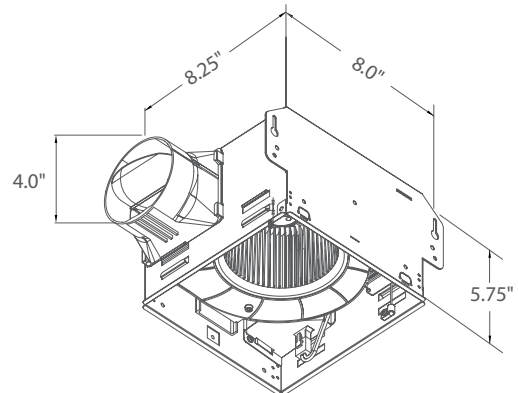
- 3-year limited warranty

Features

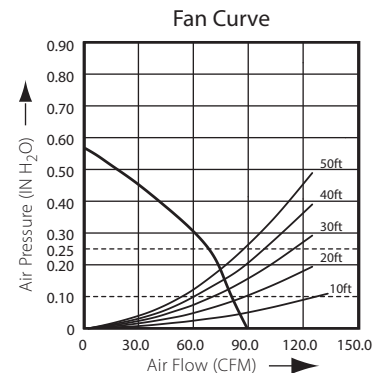
- For ceiling/wall mount, airflow of 80 CFM (±10%) and 0.6 Sones at 0.1" static pressure
- Power consumption approximately 10.5 Watts with an efficiency rating approximately 7.6 CFM/Watt at 0.1" static pressure
- UL and cUL listed for tub/shower enclosure when used with GFCI-protected branch circuit wiring

DC Motor Technology

- Built-in soft start function to increase bearings' life.
- Automatically powers OFF when impeller is locked abnormally.



GreenBuilder GBR80	4" Duct (Standard)	
Static Pressure (inches w.g.)	0.1	0.25
Air Flow (CFM)	80	69
Sones	0.6	1.1
Power Consumption (Watts)	10.5	12.5
Energy Efficiency (CFM/Watt)	7.6	5.5
Current (Amps)	0.22 Max	
Power Rating (V/Hz)	120 / 60	



Model	Quantity	Comments	Project:
			Location:
			Architect:
			Engineer:
			Contractor:
			Submitted by:
			Date: