



Delta BreezGreenBuilder G2

Perfectly quiet. Perfectly green.

Delta BreezGreenBuilder G2 Series

GBR50	50 CFM Fan Single Speed	
GBR50L	50 CFM Fan/Light	💡
GBR80	80 CFM Fan Single Speed	
GBR80H	80 CFM Fan with Humidity Sensor	💧
GBR80L	80 CFM Fan/Light	💡
GBR80HL	80 CFM Fan/Light with Humidity Sensor	💧💡
GBR80MHL	80 CFM Fan/Light with Humidity and Motion Sensor	💧💡🚶
GBR80LED	80 CFM Fan/LED Light	💡
GBR100	100 CFM Fan Single Speed	
GBR100L	100 CFM Fan/Light	💡

Project Pack Components*

GBR-A	GreenBuilder Housing Can for Fan Only
GBR50-B	50 CFM Motor/Grille
GBR80-B	80 CFM Motor/Grille
GBR100-B	100 CFM Motor/Grille
GBRL-A	GreenBuilder Housing Can for Fan/Light
GBR50L-B	50 CFM Motor/Grille/Light
GBR80L-B	80 CFM Motor/Grille/Light
GBR100L-B	100 CFM Motor/Grille/Light

*Project Pack components are sold in quantities of four

	Delta Breez	Market AC Motor
Energy Use (Watts)	3.8	27.1
Noise Level (Sones)	<0.3	1.5
Annual Energy Cost per Fan (24/7) ¹	\$3.99	\$28.49

¹ Calculations based upon U.S. average retail electricity and HVI testing labs.

Actual results may vary

² Based upon BreezGreenBuilder G2 GBR50 vs. market AC motor fan

³ Based upon ENERGY STAR criteria for residential ventilating fans

The Builders' choice for green construction

Delta BreezGreenBuilder G2 fans mark a new achievement in bathroom ventilation for green construction. Built upon market-leading energy efficiency, exceptionally low power consumption and virtually silent operation, the G2 adds feature options of LED main light, adjustable humidity sensing and speed control, and a 100 CFM model. Additionally, the G2 models have enhanced performance at 0.25" static pressure. BreezGreenBuilder G2 stays true to what has made the GreenBuilder series a winning value proposition for builders and contractors: a reliable Delta DC brushless motor, compact lightweight design for quick installation, and performance ratings that far surpass building requirements...all at an affordable price.



Fan Only & Fan with Humidity Sensor



Fan/Light, Fan/Light with Humidity Sensor, Fan/Light with Humidity and Motion Sensor



Control Options
GBR80H, GBR80HL, GBR80MHL



Fan/LED light

Innovative DC brushless motor design for long life, low noise, and low power consumption

- Energy savings up to 86%²
- <0.3 sones - lowest tested noise level available for bath fans
- Exceeds ENERGY STAR® requirement by 840% in energy efficiency³
- Fan/light and fan/LED light combinations and project packs available

Project Pack Components Available

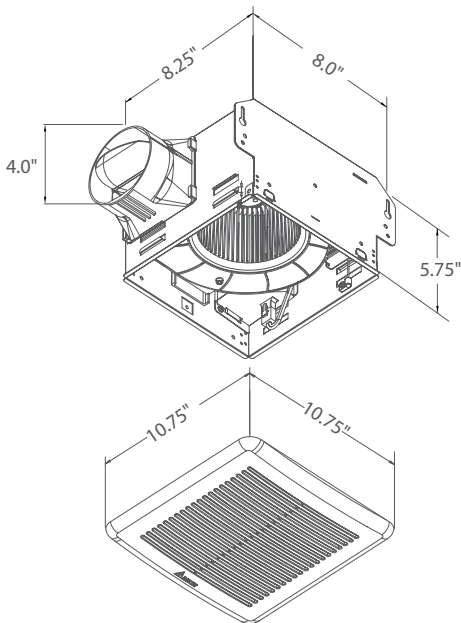


Specifications

Delta BreezGreenbuilder G2
Perfectly quiet. Perfectly green.

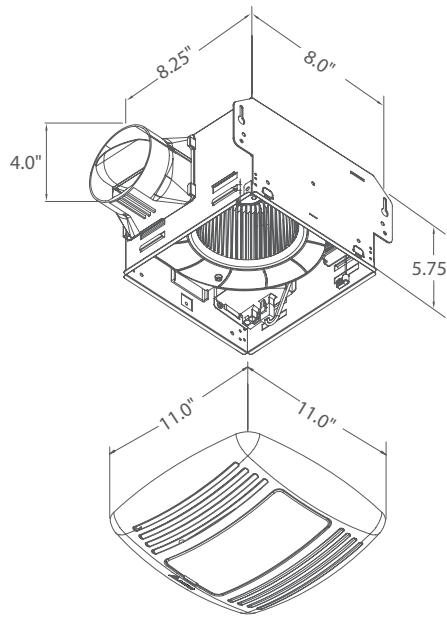
The Builders' choice for green construction. Designed for easy retrofit and new construction.

Fan Housing for
GBR50, GBR80, GBR80H and GBR100



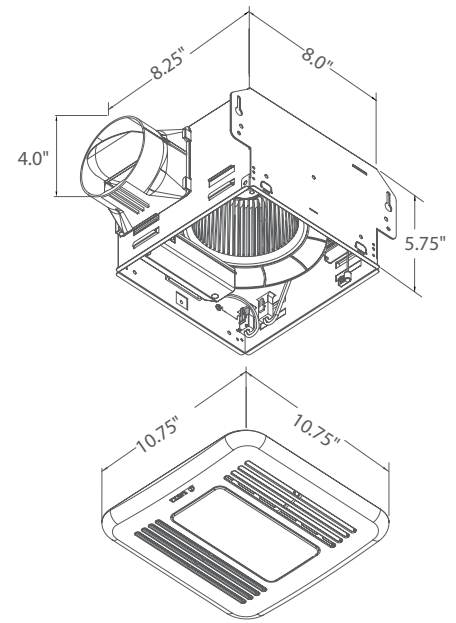
Grille for Fan Only

Fan/Light Housing for
GBR50L, GBR80L, GBR80HL, GBR80MHL and GBR100L



Grille for Fan/Light

Fan/LED Light Housing for
GBR80LED



Grille for Fan/LED Light

Delta BreezGreenBuilder G2	GBR50		GBR50L		GBR80		GBR80H		GBR80L		GBR80HL/ GBR80MHL		GBR80LED		GBR100		GBR100L	
Fan Speed	Full Speed		Full Speed		Full Speed		Continuous Low Speed		Full Speed		Full Speed		Continuous Low Speed		Full Speed		Full Speed	
Static Pressure (Inches w.g.)	0.1	0.25	0.1	0.25	0.1	0.25	0.1	0.25	0.1	0.25	0.1	0.25	0.1	0.25	0.1	0.25	0.1	0.25
Air Flow (CFM)	50	35	50	38	80	69	50	37	80	68	80	69	50	40	80	63	80	63
Sones	<0.3	0.6	<0.3	0.7	0.6	1.1	<0.3	1.0	0.8	1.2	0.8	1.3	0.4	0.6	0.8	1.3	0.8	1.1
Power Consumption (Watts)	3.8	5.2	4.5	5.8	10.5	12.5	4.0	6.0	9.7	11.8	11.0	13.6	5.3	7.0	11.5	11.4	11.6	11.1
Energy Efficiency (CFM/Watt)	13.1	6.7	11.1	6.5	7.6	5.5	12.5	6.1	8.2	5.7	7.2	5.0	9.4	5.7	6.9	5.5	6.8	5.6
Current (Amps)	0.12 Max		0.14 Max		0.22 Max		0.16 Max		0.22 Max		0.23 Max		0.17 Max		0.22 Max		0.30 Max	
Power Rating (V/Hz)	120 / 60								120 / 60									
Mounting Opening	8.25" x 8.0"								8.25" x 8.0"									
Mounting Depth	5.75"								5.75"									
Grille Size	10.75" x 10.75"		11.0" x 11.0"		10.75" x 10.75"		10.75" x 10.75"		11.0" x 11.0"		11.0" x 11.0"		11.0" x 11.0"		10.75" x 10.75"		10.75" x 10.75"	
Duct Diameter	4"								4"									
Lamp (Watts)	N/A		26		N/A		N/A		26		26		11		N/A		26	
Lamp Style	N/A		GU24 CFL		N/A		N/A		GU24 CFL		GU24 CFL		LED Module		N/A		GU24 CFL	
Automatic Operation	N/A		N/A		N/A		Yes (humidity)		N/A		Yes - GBR80HL (humidity) Yes - GBR80MHL (humidity & motion)		N/A		N/A		N/A	
Dual Speed Operation	N/A		N/A		N/A		Yes (humidity)		N/A		Yes - GBR80HL (humidity) Yes - GBR80MHL (humidity & motion)		N/A		N/A		N/A	
Color Temperature	N/A		2700 K		N/A		N/A		2700 K		2700 K		2700 K		N/A		2700 K	
Lumens	N/A		1850		N/A		N/A		1850		1850		791		N/A		1850	
Shipping Gross Weight (Lbs)	7.0		8.8		7.0		7.2		8.8		8.6		7.5		7.0		8.8	
cUL Tub/Shower Enclosure	Yes								Yes									
California Title 24 Compliant	Yes								Yes									
Mfg in ISO 9001 Certified Factory	Yes								Yes									
ENERGY STAR® Qualified	Yes								Yes									
ENERGY STAR Most Efficient 2014	Yes								Yes		No		No		No		Yes	
Warranty (Years)	3								3									

Design and specifications subject to change without notice.



4405 Cushing Parkway | Fremont, CA 94538
tel 1.888.979.9889 | www.deltabreez.com



Delta BreezGreenBuilder Series - 07/14