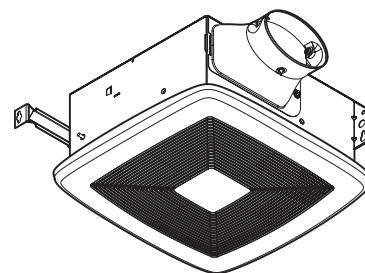


# MODEL LP80 LO PROFILE VENTILATION FAN



### DESCRIPTION

#### BLOWER:

- Plug-in, permanently lubricated motor - engineered for continuous operation
- Dynamically balanced centrifugal blower wheel for quiet, efficient performance
- Low RPM for quiet operation

#### HOUSING:

- Rugged, galvanized steel construction
- Metal, 4" oval duct connector with no metallic clatter
- Includes 4" oval to 3" round duct reducer
- 4" height allows for 2" x 4" wall or ceiling installation
- Sturdy, easy, mounting directly to stud or joist
- Can be mounted in flat ceilings, sloped ceilings up to 12/12 pitch, and walls

#### GRILLE:

- Polymeric construction
- Innovative design - the result of extensive research with designers and consumers

#### CONTROLS (Purchase separately):

- Refer to Broan's catalog for a complete line of accessories to effectively adapt this fan to your construction requirements.

U.L. Listed for use over bathtubs and showers when connected to a GFCI protected branch circuit (ceiling mount only).

1-Year Warranty

**Model LP80H:** Rough-in housings for LP80F finish assemblies (packed 4 per carton). LP80H housings include slide channels and mounting brackets.

**Model LP80F:** Finish assemblies for LP80H rough-in housings (packed 4 per carton). LP80F finish assemblies include blower assembly and grille.

### TYPICAL SPECIFICATION

- Fan shall be Broan Model LP80.
- Fan shall have corrosion resistant galvanized steel housing. It shall be ducted to a roof or wall cap using 4" or 3" round ductwork.
- Blower assembly shall be removable, have a centrifugal-type blower wheel and a permanently lubricated motor designed for continuous operation.
- Metal damper/duct connector shall be included.
- Air delivery shall be no less than 80 CFM and sound level no greater than 1.0 Sones. All air and sound ratings shall be certified by HVI.
- Fan shall be ENERGY STAR® qualified and have an energy efficient permanent split capacitor motor.
- Fan shall be U.L. Listed for use over bathtubs and showers when connected to a GFCI protected branch circuit (ceiling mount only).



Broan-NuTone LLC Hartford, Wisconsin www.broan.com 800-558-1711

REFERENCE	QTY.	REMARKS	Project
			Location
			Architect
			Engineer
			Contractor
			Submitted by <span style="float: right;">Date</span>

# PERFORMANCE RATINGS

## MODEL LP80 FAN

### HVI PERFORMANCE

4" Duct			3" Duct				
0.1 Ps - Static Pressure (inH <sub>2</sub> O)		0.25 Ps	0.1 Ps - Static Pressure (inH <sub>2</sub> O)		0.25 Ps		
Airflow (CFM)	Sound (Sones)	Power (Watts)	Airflow (CFM)	Airflow (CFM)	Sound (Sones)	Power (Watts)	Airflow (CFM)
80	1.0	25.7	61	70	1.3	25.7	55.3



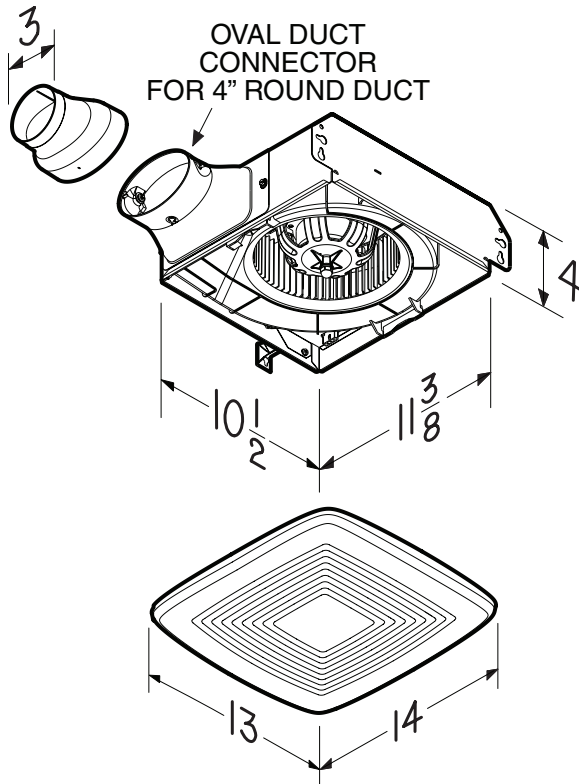
HVI-2100 CERTIFIED RATINGS comply with new testing technologies and procedures prescribed by the Home Ventilating Institute, for off-the-shelf products, as they are available to consumers. Product performance is rated at 0.1 in. static pressure, based on tests conducted in a state-of-the-art test laboratory. Sones are a measure of humanly-perceived loudness, based on laboratory measurements.

### AMPS

Model	Amps
LP80	0.3

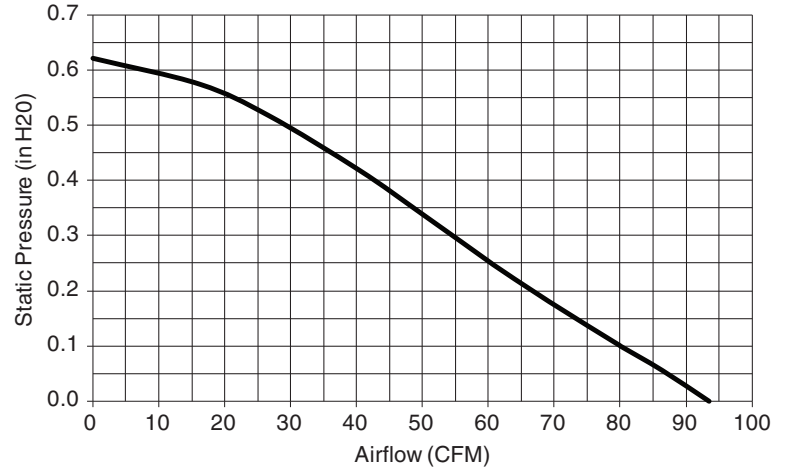
### WEIGHT

Model	Shipping Weight
LP80	9.0 lbs.



### AIR FLOW PERFORMANCE

#### MODEL LP80 - 4" DUCT



#### MODEL LP80 - 3" DUCT

