

Premier Series Universal Auto Changeover **5300** Up to 3 Heat / 2 Cool Heat Pump or 2 Heat / 2 Cool Conventional Thermostat

Installer Guide

**Before Installing, Programming or Operating,
PLEASE READ ALL INSTRUCTIONS**

- 1 Specifications**
- 2 Installation**
- 3 Quick Reference**
- 4 Programming Installer Settings**
- 5 Testing Thermostat**
- 6 Wiring Diagrams**

SEE USER MANUAL FOR TROUBLESHOOTING

WARNING

Important Safety Information

- Always turn off power to the air conditioning or heating system prior to installing, removing, cleaning or servicing thermostat.
- This thermostat is a dual power thermostat and either requires 24 Volt AC Power or two (2) properly installed "AA" Alkaline batteries for normal operation and control of the heating or cooling system.
- Properly installed batteries will allow the thermostat to retain clock settings in the event of loss of AC Power due to power outage or rolling blackouts when used as a hardwired thermostat.
- This thermostat should only be used as described in this manual. Any other use is not recommended and will void the warranty.

1 Specifications

- Electrical Rating: 24 Volt AC (18-30 Volt AC)
1 amp maximum load per terminal
5 amp maximum load (all terminals)
- Control Range: 45° - 90° F (7° C - 32° C)
- Accuracy: +/- 1° F (+/- .5° C)
- AC Power: 18-30 Volt AC
- DC Power: 3.0 Volt DC (2 "AA" Alkaline batteries included)

1 Specifications *cont.*

- Compatibility: Compatible with low voltage single stage or multi-stage Heat / Cool systems, including heat pumps with up to three stages of heating and two stages of cooling, or conventional systems with up to two stages of heating and two stages of cooling. This thermostat can also be used on 250 to 750 millivolt heating only systems.
- Terminations: A, G, Rc, Rh, W2, B, O, Y1, Y2, W1/E/W3, C, L, S1, S2

2 Installation

Replacing Existing Thermostat

Most existing thermostats have three parts:

- The cover, which may snap or hinge over the existing thermostat.
 - The electronics or body, which controls the existing system.
 - The sub-base, where the wires attach through the wall to the existing system.
1. Always turn off power to the air conditioning and heating system prior to removing existing thermostat.
 2. Carefully remove the cover and electronics body from the old thermostat sub-base. Depending on the brand, these parts may pull off or need to be unscrewed. The old sub-base should remain wired and on the wall until steps 4 and 5.
 3. Label every old wire with the letter of the connection to which the wire is attached. Example letters are R, M, Y, etc. Depending on the brand of the old thermostat, your letters may be different. *(continued on page 2)*

Old Terminal from Existing Thermostat	New Terminal for New Thermostat (Model 5300)	Terminal Description
A	A	External Air output
G or F	G	Fan Control
Rc	Rc	24 Volt AC (Cooling for Dual Transformer Systems)
R, V-VR or VR-R	Rh	24 Volt AC
W1, W2 or W-U	W2	Stage 2 Heating
B	B	Reversing Valve (Heating)
O or R	O	Reversing Valve (Cooling)
Y, Y1 or M	Y1	Stage 1 Compressor
Y2	Y2	Stage 2 Compressor
W1/E/W3	W1/E/W3	1st Stage Heating for Conventional Systems or Emergency Heating for 3 Stage Heat Pumps
C, X or B	C	24 Volt AC, Transformer Common
L or X	L	System Malfunction Indicator
S1	S1	Optional Remote Sensor
S2	S2	Optional Remote Sensor

2 Installation *cont.*

Replacing Existing Thermostat (*continued*)

- After labeling the old wires, loosen each connection and remove them from old sub-base. Secure the wires to prevent them from slipping into the opening in the wall.
- Remove the old sub-base from the wall, again being careful that the wires do not slip into the opening in the wall.
- Use the chart on page 1 to determine the new thermostat connections. As an example, if the old thermostat had a G or F connection, it goes to G on the new thermostat. It may be helpful to use the chart by circling (with a pencil or pen) the letter of each wire removed from the old thermostat.

NOTE: This thermostat is designed for use on low voltage 24 volt AC single stage or multi-stage systems, including heat pumps with up to three stages of heating and two stages of cooling. Do not use this thermostat on systems with voltage higher than 30 Volts AC. This thermostat requires a transformer common wire for proper installation if used as a hardwired thermostat.

Installing New Thermostat

NOTE: When installing this thermostat in a new location, following a few simple guidelines and the applicable building codes will give the best results. Install the thermostat in a location that provides good airflow by avoiding areas behind doors, near corners, air vents, direct sunlight or heat generating devices. The wiring must conform to all building codes and ordinances as required by local and national code authorities having jurisdiction for this installation.

- Always turn off the power to the air conditioning and heating system prior to installing this thermostat.
- Locate the release latch on the bottom (not the back) of the thermostat. Press the release latch in and separate the body from the sub-base of the thermostat. Because this thermostat has 14 possible connection points, you may need to apply moderate force to separate the parts.
- Set the thermostat electronics and cover down on a clean surface. Place the sub-base on the wall in the desired location.
- Using the slotted mounting holes in the sub-base, mark the placement of the mounting holes through the slots and onto the wall. Ensure the wires come out of the wall into the center hole of the sub-base.
- After verifying the drill will not damage items in the wall, use a 3/16 drill to create the mounting holes. Gently tap the supplied plastic anchors into the holes in the wall.
- Place the thermostat sub-base against the wall in the desired location. Ensure the thermostat is level, the wires are inserted in the opening, and the mounting holes are aligned with the slots on the sub-base.
- Fasten sub-base to wall using supplied screws into the plastic wall anchors.
- Connect wires to the quick wiring terminal blocks. Use the wiring diagram chart to ensure the old and new connections are correct.
- To prevent electrical shorts and potential damage to the thermostat, make sure all wire connections are secure and not touching each other.
- Locate the thermostat body, and ensure the cover is still installed properly. Using the mounting tabs on the top of the sub-base as a guide or hinge, close up the thermostat case by pivoting the body and cover closed. The latch on the bottom of the thermostat will click when the case is properly closed. Because this thermostat has 14 possible connection points, you may need to apply moderate force to close the case.

2

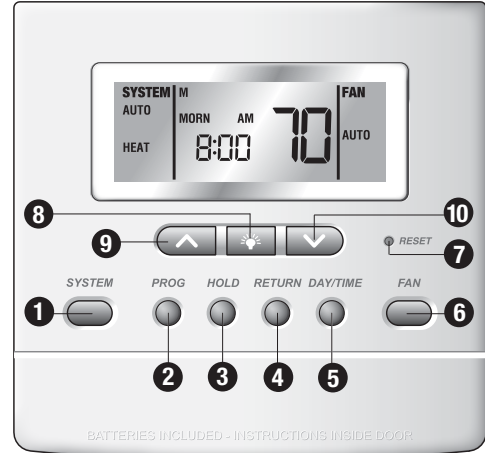
2 Installation *cont.*

Installing New Thermostat (*continued*)

- Flip the front thermostat cover up and open the battery compartment door.
- Locate the positive [+] ends of the batteries and match them with the positive [+] terminals located in the battery compartment. Install the two new "AA" alkaline batteries (supplied). Close battery compartment door.
- Restore system power and proceed to programming and system checkout.

3 Quick Reference

Model 5300 shown with cover open



- SYSTEM Button:** Selects AUTO (Heat/Cool), COOL, OFF, HEAT or EMER.
 - PROG Button:** Press to enter the program setup mode where you can select the time, temperature and fan setting for each program period. Scrolls backwards between user/installer setup screens.
 - HOLD Button:** Enables or disables extended hold mode or temporary program override.
 - RETURN Button:** Press and hold for 4 seconds to enter the user settings mode (see user manual). Scrolls between user/installer setup screens. Returns unit to normal mode when in program mode.
 - DAY/TIME Button:** Enters time and day setting mode. Selects individual days in program mode.
 - FAN Button:** Selects AUTO, ON, CIRC (recirculate) and PROG (program) modes.
 - RESET Button:** Resets time, program and some user settings back to the factory default. See section 4 for a list of functions that will return to their factory default settings after the RESET button is pressed.
 - ☀ Button:** Turns on backlight for 10 seconds.
 - ^ Button:** Increases setting (time, temperature, etc.). Scrolls between option settings.
 - ∨ Button:** Decreases setting (time, temperature, etc.). Scrolls between option settings.
 - +9 RETURN and ^ Buttons:** Press both buttons at the same time and hold for 4 seconds to enter the installer settings mode (see section 4).
 - 4+2 RETURN and PROG Buttons:** Press both buttons at the same time to exit the installer settings mode.
 - 2+3 PROG and HOLD Buttons:** Press and hold both buttons at the same time to view the outdoor temperature if an outdoor sensor is connected.
- CLEAR Button:** Located on the back of the thermostat. Resets the thermostat to all factory default settings. See section 4 for a complete list of settings.

3

4 Programming Installer Settings

Status After CLEAR—Factory Default Settings

At initial power up or after Installer **CLEAR** is pressed, the thermostat is reset to factory defaults. Installer **CLEAR** is located on the circuit board.

Function	Status After CLEAR
Operation mode	OFF, Auto Changeover enabled
Temperature hold	Permanent and temporary hold cleared
Fan Switch	AUTO
Clock	12:00 pm, Monday
Room temperature	Display 70° F (21.0° C), to be renewed within 5 seconds
Set point temperature	62° F (17.0° C) for Heat and Emergency Heat 83° F (28.0° C) for Cool
Temperature scale	Fahrenheit
Operating program	DAY program, Monday
Low-battery warning	Off, to be renewed within 5 seconds
AC interrupted warning	Off, to be renewed within 5 seconds
1st stage differential	0.2° F (0.1° C)
2nd stage differential	2° F (1.0° C)
3rd stage differential	2° F (1.0° C)
Programming	7 Day, 4 Event
Deadband	3° F
Residual Cooling Fan Delay	60 seconds
Short cycle protection timer	On, 5 minutes, Reset
Adaptive Recovery Mode	OFF
Output relays	All turned off
Recirculating Fan	Timer reset, with 24 min OFF, 12 min ON, Lock OFF
Extended Hold	Long (indefinite)
Filter Check Monitor	0 days-No Warning, Timer reset
Keypad Lock	Complete (level 2)
System type	Conventional, Single Stage
1st Stage Heat Fan Control	Gas
2nd Stage Heat Fan Control	Electric
Fossil Fuel Compressor Lock	Off
Auto Changeover	Enabled
Compressor Outage Protection	Off, Timer reset
Temperature Sensor	Internal
12 / 24 Hour Clock	12 hour
Adjustment Limit from Set Point	0, OFF
AC Interrupt Warning Mode	OFF
User Profile	Residential
Compressor Balance Point	0 deg – No Lockout

4 Programming Installer Settings *cont.*

Status After CLEAR—Factory Default Settings *(continued)*

Function	Status After CLEAR
Auxiliary Balance Point	0 deg – No Lockout
Economizer Control	None – Disabled
UV Monitor	0 days – No Warning, Timer reset
Humidifier Pad Monitor	0 days – No Warning, Timer reset
Heat Limit	90 deg – No Limit
Cool Limit	45 deg – No Limit
Maximum Override Duration	4 hours

Status After RESET—Factory Default Settings

When the User **RESET** button is pressed, the following options will reset to the factory defaults. All other settings are saved when the **RESET** button is pressed.

Function	Status After RESET
Programming	Default setting depending on programming mode setting (see User Manual). For manual mode: Heat - 62° F, Cool - 83° F.
Clock	12:00 pm, Monday
1st stage differential	0.2° F (0.1° C)
2nd stage differential	2° F (1.0° C)
3rd stage differential	2° F (1.0° C)
Filter, UV and Humidity Pad Check Monitor	0 days-No Warning, Timer reset
Adjustment Limit from Set Point	0, OFF
Temperature Hold	Permanent and temporary hold cleared, reset to Long Hold
Short Cycle Timer	Reset
Recirculating Fan	Timer reset, 24 minute off cycle. With recirculating lock set, fan state defaults to CIRC.
Maximum Temporary Override Duration	4 hours

Setting Thermostat Installer Options

The Installer Options section allows the system and programming parameters to be set up at installation. The Installer Options mode is menu driven. As the different options are programmed you may eliminate specific options. For example, if the system is set to single stage heat pump, Option 8, selecting the AUX stage fan control will no longer be available.

The Installer Option mode is entered by holding the **RETURN** and **▲** buttons together for 3 seconds. Installer Option 1 (Residential or Commercial) will be displayed. Pressing the **▲** or **▼** buttons will scroll between choices. To scroll to the next installer option, press the **RETURN** button. To scroll backwards between installer options, press the **PROG** button. The thermostat will return to normal operating mode by pressing the **RETURN** and **PROG** buttons at the same time.

NOTE: The thermostat will return to normal operating mode automatically after 30 seconds if no buttons are pressed.

NOTE: Any changes to Installer Option 6 (System Type) will cause Options 7, 8, 9, 10 and 11 to reset to the default values that are dependent on system selection.

NOTE: Any changes to Installer Options 1 through 6 will cause all User Options and Programming to reset to their default values if the User Options were previously programmed. See User Manual, Section 2.

Installer Options	Factory Default	Options	Comment
1 – Residential or Commercial	RES	RES, BUS	Selects a Residential or Commercial (BUS) profile.
2 – Programming Mode	PROG1	PROG1, PROG2, PROG3	Not available if thermostat is in the Commercial (BUS) profile.
3 – 12/24 Clock	12h	12h, 24h	Selects either 12 hour or 24 hour clock.
4 – Temperature Scale	000F	000F, 000C	Selects either Fahrenheit or Celsius.
5 – Auto Changeover	AUTOON	AUTOON, AUTOOFF	Either enables or disables Auto Changeover.
6 – System Type	11C	11C, 22C, 11HP, 22HP, 32HP	Selects single stage conventional, 2 stage conventional, single stage heat pump, 2 stage heat pump or 3 stage heat pump.
7 – First Stage Fan Control	1HG	1HG, 1HE	Not available with a heat pump system. Selects between 1st stage gas or electric heat.
8 – Aux Stage Control	2HE	2HE, 1HG	Only available with multi-stage heat pump system. Selects multi-stage gas or electric heat.
9 – Fossil Fuel Backup Option	AUXAE	AUXAE, AUXAB	Only available with a multi-stage heat pump system. Locks out 1st stage during 2nd stage heat call for fossil fuel backup system (AUXAG). With an electric backup system (AUXAE), both stages will run.
10 – AC Power Interrupt Warning	OFF-AC	OFF-AC, ON-AC	Only available when thermostat is installed as a hardwired unit. Select between turning the AC power interrupt warning off or on.

Setting Thermostat Installer Options *(continued)*

Installer Options	Factory Default	Options	Comment
11 – Compressor Power Outage	CP0P OF	CP0P0F, CP0P0N	Only available with multi-stage heat pump and AC power protection connected. Select between compressor lock off and compressor lock on.
12 – Short Cycle Protection	CSCP 5	CSCP 5, CSCP 4, CSCP 3, CSCP 2, CSCP 0	Selects 5, 4, 3, 2 or 0 minutes for the compressor short cycle protection.
13 – Residual Cooling Fan Off Delay	FAN00	FAN00, FAN30, FAN60, FAN90	Selects 0, 30, 60 or 90 seconds as the time the fan will stay on after the cooling system has satisfied the set point temperature and turned off the compressor.
14 – Recirculating Fan Lock	CIRC0F	CIRC0F, CIRC0N	Selects between Recirculating Fan Lock off or on.
15 – Enable / Disable ARM™	REC0F	REC0N, REC0F	Enables or disables ARM™. Not available in non-programmable mode.
16 – Set Sensor Control	SENS 1	SENS1, SENS E, SENS R	Only available if remote sensor is installed. Selects between Internal (I), External (E) and Averaging (A) control of internal (thermostat) and external (remote indoor sensor) for temperature control. Attaching an outdoor sensor for outdoor temperature display or balance point control is automatically detected. Test outdoor sensor connection by pressing PROG and HOLD at the same time.
IMPORTANT: At installation, Remote Indoor Sensor must be at room temperature.			
17 – Set Security Level for Keypad Lock	SEC 2	SEC 1, SEC 2	Selects between level 1 or level 2 keypad lockout.
18 – Dead Band	BAND 3	BAND 2, BAND 3, BAND 4, BAND 5	Only available if auto changeover is enabled in option 5. Selects Auto Changeover Dead Band of 2, 3, 4, 5° F (1.0, 1.5, 2.0, 2.5° C).
19 – Compressor Balance Point	BALC NO	BALC NO, BALC 10, BALC 50	Scrolls between NO (no lockout) and 10 to 50° F (-12 to 10° C) to set Compressor Balance Point. Only available with multi-stage heat pump and outdoor sensor connected.
20 – Auxiliary Balance Point	BALR NO	BALR NO, BALR 10, BALR 40	Scrolls between NO (no lockout) and 70 to 40° F (21 to 4° C) to set Auxiliary Balance Point. Only available with multi-stage heat pump and outdoor sensor connected.
21 – Outside Air Intake Options	None OR	None OR, Econ OR, Eco OR	Only available in Business Mode. Selects Outside Air Intake Options of None (disabled), Economizer Mode and Time of Day Mode.

4 Programming Installer Settings *cont.*

Setting Thermostat Installer Options *(continued)*

Installer Options	Factory Default	Options	Comment
22 – Heating Set Point Upper Limit	HEAT 90	HEAT 90, HEAT 60	Scrolls between 90 and 60° F (32 and 10° C).
23 – Cooling Set Point Lower Limit	COOL 45	COOL 45, COOL 80	Scrolls between 45 and 80° F (7 and 27° C)

1. Selects Residential or Commercial (BUS) profile. Determines programming events per day. If Residential is selected, 4 events per day are available. If Commercial is selected, 2 events per day are available. Only the 7 day programmable mode is available for the Commercial profile.
2. Selects the programming mode, either full 7 day or 5-2 day (weekday-weekend) programming or non-programmable. If the Commercial profile was selected in step 1 this option is not available.
3. Selects either a 12 hour or 24 hour clock.
4. Selects preferred temperature scale of either °F or °C.
5. Selects Auto Changeover on or off. When off is selected, the AUTO icon will not be displayed when selecting the system options with the system button. When Auto Changeover mode is enabled and selected, the system automatically switches between heating and cooling when the room temperature meets the programmed heating or cooling set points.
6. Selects single stage conventional (11C), 2 stage conventional (22C), single stage heat pump (11HP), 2 stage heat pump (22HP), or 3 stage heat pump (32HP). Any change made to the system type resets Installer Options 7 through 11 to their default values dependent on system selected.
7. Selects between 1st stage gas or electric heat Fan Control. This Installer Option is not available with a heat pump system.
8. Selects aux-stage gas or electric heat Fan Control. This Installer Option is only available with a 2 or 3 stage heat pump system.
9. For heat pump units with an electric auxiliary stage, both the first and second stages of heating will run when a call for second stage heat is made. For heat pump units with a fossil fuel auxiliary stage, the compressor stage(s) will be locked out one minute after a second stage heat call, and the second stage will only be used. **NOTE:** *Can be overridden by auxiliary balance point. See item 20 on page 10 for details.*
10. Select between turning the AC power interrupt warning off or on. During a power loss when batteries are installed, the thermostat will display an outage warning. The system clock will continue to run, and all settings will be maintained until the outage period is over. This Installer Option is only available when thermostat is installed as a hardwired unit.
11. This thermostat provides cold weather compressor protection by locking out the compressor stage (1st stage) of heating for a period of time after a power outage greater than 60 minutes. The lockout period is one hour less than the outage time, up to a maximum of 12 hours. During that period of time, the auxiliary heat stage will still be available to maintain the set point temperature. The compressor lockout can be disabled by setting this option to OFF.

4 Programming Installer Settings *cont.*

12. This thermostat includes an automatic compressor protection feature to avoid potential damage to the cooling system from short cycling. This thermostat automatically provides an adjustable delay after turning off the cooling system output to protect the compressor. This protection is also present in the heat mode of operation on single stage heat pump systems to protect the compressor.
13. During the COOL mode of normal operation the fan will stay on for 60 seconds after the cooling system has satisfied the set point temperature and has turned off the compressor. This allows the system to provide higher efficiency during cooling operation. The delay is selectable between 0, 30, 60 or 90 seconds.
14. The Recirculating Fan can be “locked on”, so that the only fan selections available to the user are CIRC and ON. The Recirculating Fan Mode provides more even temperature distribution and improves indoor air quality by circulating air through the furnace filtration system more often. By locking the Recirculating Fan on, the user will only have the option to run the fan all the time (ON) or use the Recirculating Fan Feature (CIRC). If the Recirculating Fan lock is set to off, the thermostat is put into the Recirculating Fan Mode by pressing the FAN button until the CIRC icon is displayed. If no call for heating or cooling occurs within the fan off cycle set in the User Options (see User Manual), the fan will run for 12 minutes. When the fan lock is set to on, the highest setting, 120 minutes, will run the fan least often – 9% minimum running time. The lowest setting, 24 minutes (factory default), will run the fan most often – 33% minimum running time. The Recirculating Fan feature is available in the COOL, OFF, HEAT, or EMER mode.

Fan Cycle Setting	Fan Off Time (minutes)	Fan Run Time (minutes)
24	24	12
40	40	12
60	60	12
120	120	12

15. Enables or disables the ARM™ feature. During ARM™, room temperature is recovered gradually by turning on the heating or cooling before the end of the set back period. In a multi-stage configuration, room temperature is recovered gradually by using only the first stage heating or cooling until the last 20 minutes, to minimize the use of the 2nd stage heating or cooling. The set point temperature is changed to that of the upcoming comfort program temperature. The start time of recovery is based on the difference between the current room temperature and the upcoming comfort program set point temperature. ARM™ does not operate when the unit is in the temporary or permanent HOLD mode or if the program is temporarily overridden or if emergency heat is selected for multi-stage heat pumps. If the ARM™ feature is disabled the thermostat will recover the set point temperature at the programmed set point time after the setback period ends.

4 Programming Installer Settings *cont.*

16. If a Braeburn® indoor or outdoor remote sensor is connected during installation, the thermostat will automatically detect the type of sensor. When an indoor sensor is detected, you may select between internal (sensI), external (sensE), or averaging (sensA) for temperature control. When an outdoor sensor is automatically detected, the thermostat will remove the choices for indoor sensing from the menu and enable outdoor measurement. The outdoor sensor may be used to determine if balance points have been exceeded, and outdoor temperature display. For proper auto-detection, you must use a Braeburn brand external sensor. Should the external sensor become unwired, the thermostat will retain the settings, but the balance points, and outdoor temperature display will be disabled until the external sensor is repaired. Test the operation of the external sensor by pressing the **PROG** and **HOLD** buttons at the same time.

Option Setting	Temperature Control	Balance Points and Outdoor Display
sens I (Internal Thermostat Sensor)	At Thermostat	N/A
sens E (External Remote Indoor Sensor)	At Remote Sensor	N/A
sens A (Internal and Remote)	Average between Internal and Remote	N/A

17. The keypad lockout feature has two levels of security. Level one locks all buttons (including the reset) except for the **▲**, **▼** and backlight buttons. Level 2 locks the entire keypad except the backlight button. The **▲** and **▼** buttons can be pressed together to enter the lock code but the buttons do not work individually to adjust the temperature. The lock level is set during the Installer Options and the lock code is set in the User Options. See the User Manual, Section 2.
18. When Auto Changeover mode is enabled and selected, the system automatically switches between heating and cooling when the room temperature meets the normal criteria for either a heating or cooling call. There is a forced separation (dead band) between the heating and cooling set points, so the systems do not work against each other. This option selects Auto Changeover Dead Band of 2°, 3°, 4° or 5° F. The default is 3° F.
19. Only available with multi-stage heat pump and outdoor sensor connected. Locks out the use of the compressor heat stage for outside air temperatures less than installer setting. Select from no lockout or a setting between 10° F to 50° F (-9° C to 10° C).

4 Programming Installer Settings *cont.*

20. Only available with multi-stage heat pump and outdoor sensor connected. Locks out the use of the auxiliary heat stage for outside air temperatures over installer setting. Select from no lockout or a setting between 70° F to 40° F (21° C to 4° C). **NOTE:** *This balance point overrides the fossil fuel compressor lockout. If the lockout is set to AG and the outdoor temperature is over the AUX balance point, the compressor will remain on during a second stage call. The unit will recover to the set point without the AUX stage.*
21. Selects Outside Air Intake Options. Scroll between none (disabled), economizer mode and time of day mode. Enables the operation of an outside air damper system in either the economizer mode or time of day mode. Available only in commercial (BUS) mode.

Time Step / Override	Cooling Call	External Air Output (A)		
		Economizer Mode	Time of Day Mode	Disabled
Occupied	YES or NO	ON	ON	OFF
Unoccupied	YES	ON	OFF	OFF
	NO	OFF	OFF	OFF
Override	YES or NO	ON	ON	OFF

Time Step / Override	Heating Call	External Air Output (A)		
		Economizer Mode	Time of Day Mode	Disabled
Occupied	YES or NO	ON	ON	OFF
Unoccupied	YES	OFF	OFF	OFF
	NO	OFF	OFF	OFF
Override	YES or NO	ON	ON	OFF

22. Selects the heating set point upper limit, scrolls between 90° F and 60° F (32° C and 10° C).
23. Selects the cooling set point lower limit, scrolls between 45° F and 80° F (7° C and 27° C).

5 Testing the Thermostat

WARNING! Read *BEFORE* Testing

- Do not short (or jumper) across terminals on the gas valve or at the heating or cooling system control board to test the thermostat installation. This could damage the thermostat and void the warranty.
- Do not select COOLING test modes if the outside temperature is below 50° F (10° C). Doing so could possibly damage the compressor system and may cause personal injury.
- This thermostat includes an automatic compressor protection feature that is DISABLED during test mode. When testing, DO NOT quickly switch the compressor on, off and on. Doing so could possible damage the compressor and may cause personal injury.

This thermostat features a menu driven operational test mode. This test mode is intended for use by trained HVAC technicians. If you are unfamiliar with the operation of this equipment, please contact a qualified service technician to perform these tests.

- To START TEST MODE, Press **PROG** and **▲** at the same time for 3 seconds.
- To NAVIGATE TEST MODE, Press **RETURN** to move forward to the next test type.
- TO RUN THE TEST, press **▲** to start or stop the test.
- To EXIT TEST MODE, Press **PROG** and **RETURN** at the same time for 3 seconds.

Test Type	System Function	System Type	Active Terminals
Cooling	1st Cooling Stage	Conventional or Heat Pump	Y1, O, G
Cooling	2nd Cooling Stage	Conventional or Heat Pump	Y1, Y2, O, G
Heating	1st Heating Stage	Conventional	W1, B, G*
Heating	1st Heating Stage	Heat Pump	Y1, B, G
Heating	2nd Heating Stage	Conventional	W1, W2, B, G*
Heating	2nd Heating Stage	2 Stage Heat Pump	Y1, W2, B, G
Heating	2nd Heating Stage	3 Stage Heat Pump	Y1, Y2, B, G
Heating	3rd Heating Stage	3 Stage Heat Pump	Y1, Y2, W3, B, G
Heating	Emergency Heat	2 or 3 Stage Heat Pump	E, B, G*
Fan	Fan Only	Conventional or Heat Pump	G
Econ	Economizer	Business	A

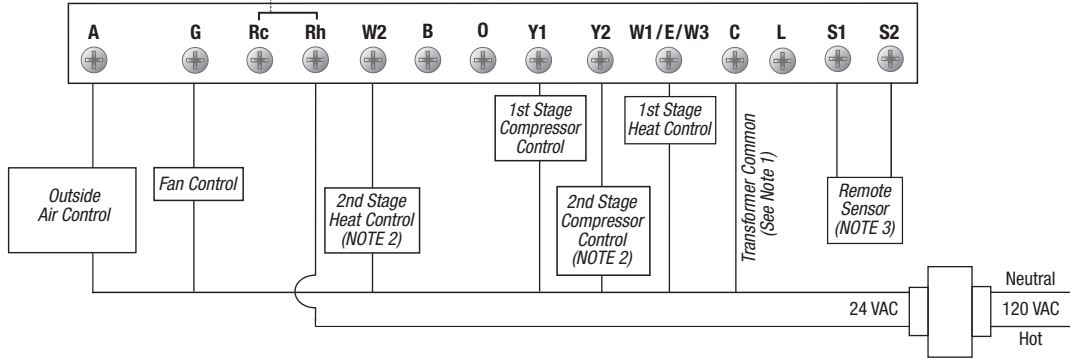
To provide time to verify equipment operation, a test will run for 5 minutes. At the end of that time, the thermostat will return to normal operating mode. To stop a test early press **PROG** and **RETURN** at the same time for 3 seconds.

NOTE: Only tests that apply to the current thermostat settings will be displayed. As an example, tests for 3rd stage heating will not be available on a thermostat configured for a 2 stage conventional system.

*Notes on Fan (G Terminal) Function: The G terminal will only be active if the stages are configured as electric heat. Systems that have the heating stages configured as gas will not activate the fan (G) terminal.

Retain Factory
Installed Jumper

Conventional Systems (Single Transformer)

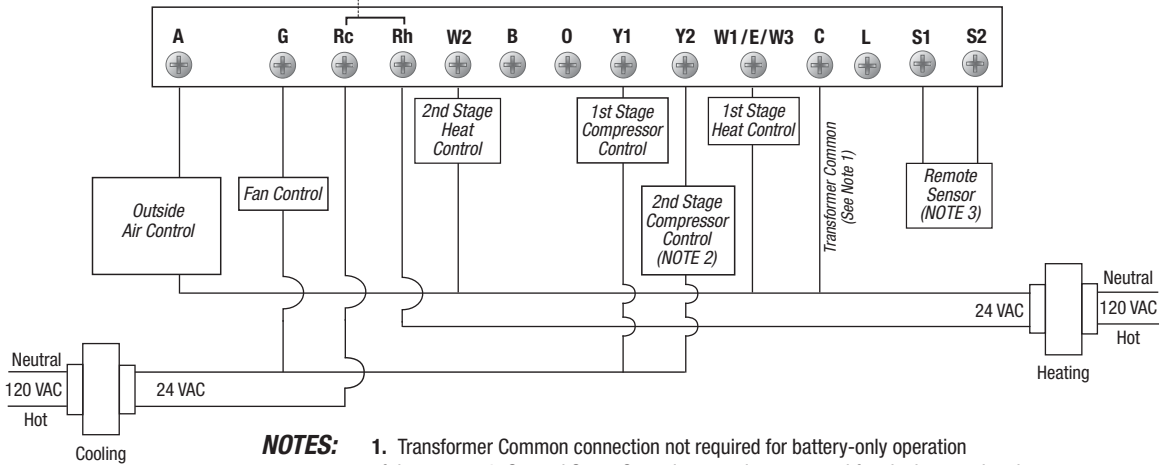


NOTES:

1. Transformer Common connection not required for battery-only operation of thermostat.
2. Second Stage Control connections not used for single stage heating or cooling systems.
3. Remote Sensor Terminals can be either for Outdoor or Indoor Remote Sensor.
4. For millivolt or other 2 wire heating systems, connect wires from heating control to Rh and W1.

Remove Factory
Installed Jumper

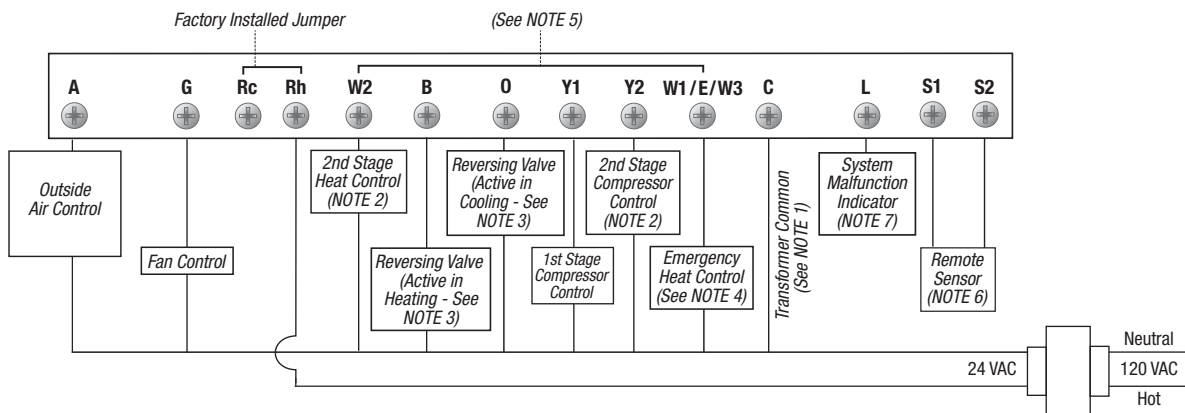
Conventional Systems (Dual Transformer)



NOTES:

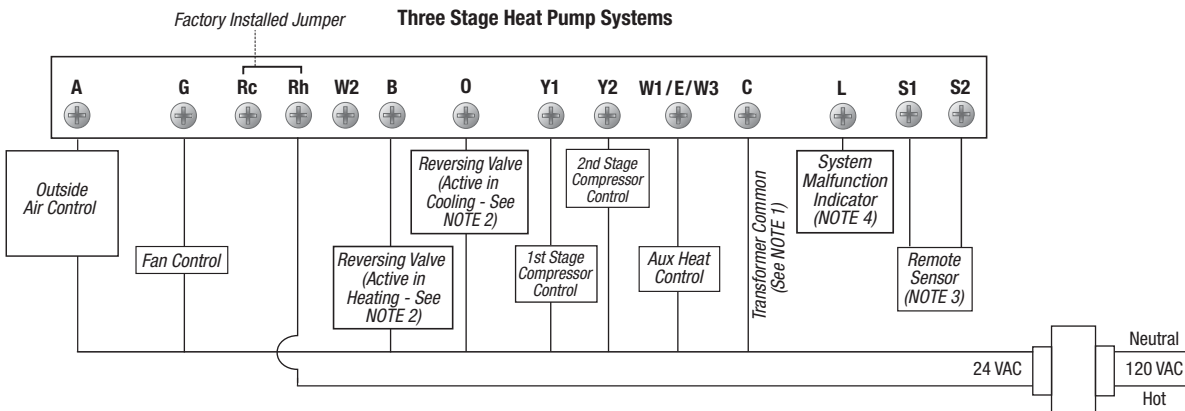
1. Transformer Common connection not required for battery-only operation of thermostat.
2. Second Stage Control connections not used for single stage heating or cooling systems.
3. Remote Sensor Terminals can be either for Outdoor or Indoor Remote Sensor.
4. For millivolt or other 2 wire heating systems, connect wires from heating control to Rh and W1.

One and Two Stage Heat Pump Systems



- NOTES:**
1. Transformer Common connection not required for battery-only operation of thermostat.
 2. Second Stage Control connections not used for single stage heating or cooling systems.
 3. For units requiring reversing valve to be energized during heating, connect reversing valve to B terminal. For units requiring reversing valve to be energized during cooling, connect reversing valve to O terminal.
 4. Required for units with 2 stage heat only.
 5. For 2 stage heat units not having a separate Emergency Heat Terminal, add installer supplied jumper.
 6. Remote Sensor Terminals can be either for Outdoor or Indoor Remote Sensor.
 7. If L Terminal is used, 24VAC common (C terminal) must be connected.

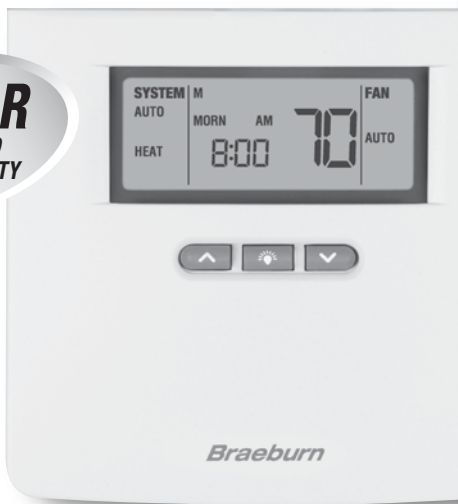
Three Stage Heat Pump Systems



- NOTES:**
1. Transformer Common connection not required for battery-only operation of thermostat.
 2. For units requiring reversing valve to be energized during heating, connect reversing valve to B terminal. For units requiring reversing valve to be energized during cooling, connect reversing valve to O terminal.
 3. Remote Sensor Terminals can be either for Outdoor or Indoor Remote Sensor.
 4. If L Terminal is used, 24VAC common (C terminal) must be connected.

Braeburn®

5 YEAR
LIMITED
WARRANTY



**Store this
booklet for
future reference**

Braeburn Systems LLC, as an Energy Star partner has determined that this product meets the Energy Star Guidelines developed by the U.S. Environmental Protection Agency & the U.S. Department of Energy for maximum energy efficiency.

Braeburn Systems LLC warrants each new Braeburn thermostat against any defects that are due to faulty material or workmanship for a period of five years after the original date of purchase by a professional service technician. This warranty and our liability does not apply to batteries, nor does it include damage to merchandise or the thermostat resulting from accident, alteration, neglect, misuse, improper installation or any other failure to follow Braeburn installation and operating instructions.

Braeburn Systems LLC agrees to repair or replace at its option any Braeburn thermostat under warranty provided it is returned postage prepaid to our warranty facility in a padded carton within the warranty period, with proof of the original date of purchase and a brief description of the malfunction. This limited warranty does not include the cost of removal or re-installation.

This warranty gives you specific legal rights and you may also have other rights that vary from state to state or province to province. Answers to any questions regarding our limited warranty may be obtained by writing our corporate offices.

WARRANTY FACILITY: Braeburn Systems LLC
Attn: Warranty Department
2215 Cornell Avenue
Montgomery, IL 60538

Braeburn®

Braeburn Systems LLC
2215 Cornell Avenue • Montgomery, IL 60538
Technical Assistance: www.braeburnonline.com
Call us toll-free: 866-268-5599 (U.S.)
630-844-1968 (Outside the U.S.)

©2009 Braeburn Systems LLC • All Rights Reserved.

U.S. Patents D525,154; D531,528; 7,156,317; 7,438,469 • Made in China • No. 5300-100-008