



US Patent No. 7,387,654

# Kleen-Screen™

## Wrap-Around A/C Coil Filter Kit

# INSTALLATION GUIDE

The all new *Kleen-Screen™* is easy to install. To cut the filter screen material you will need sharp scissors or shears. To cut the magnetic tracks and cover tracks you will need heavy duty shears, such as pruning shears, or diagonal cutters as shown (see Tools Required).

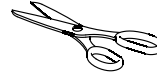
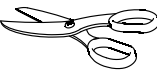
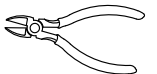
### INSTALLATION: (for Standard Condenser Units)

**Note:** Install the *Kleen-Screen™* only over the **air intake** coil openings. (Do not apply it over exhaust air openings.)

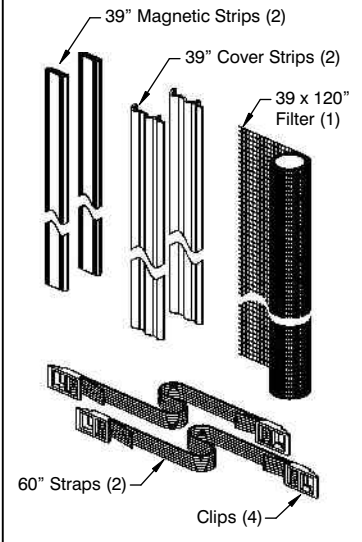
**Step 1:** Attach the magnetic strips to your condenser unit in the margins at either end of the **air intake** coil openings. Select a flat surface, avoid screw heads and stay between the top and bottom covers. Use heavy duty shears or diagonal cutters to cut the strips to the height of your coil opening.

**Step 2:** Make sure the strips are vertical and parallel to the coil opening. Then peel the protective paper from the adhesive foam tape on each magnetic strip.

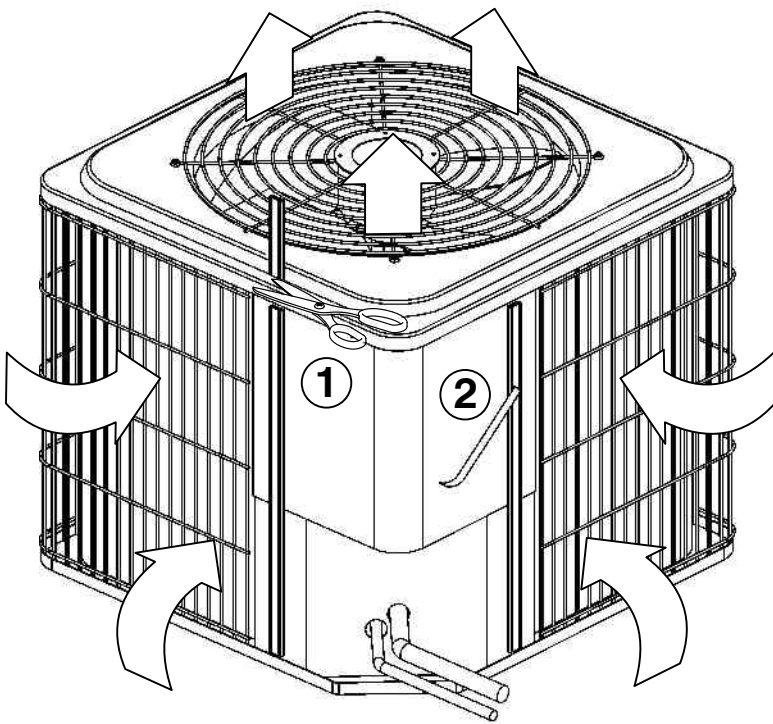
### Tools Required:

- Sharp Scissors 
- AND-
- Heavy Duty Shears 
- OR -
- Diagonal Cutters 

### Kit Contents:



**AIR EXHAUST** (Air Out of Unit)

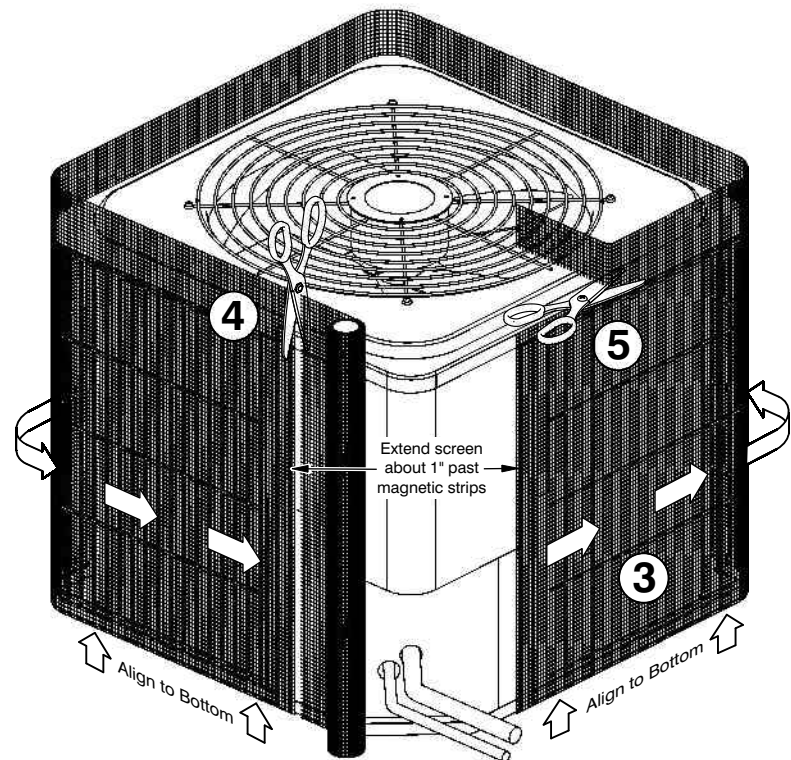


**AIR INTAKE** (Air Into Unit)

**Step 3:** Apply the filter screen fabric so it overlaps the first magnetic strip about 1" and is aligned to the bottom edge of the condenser as shown. Press the fabric onto the adhesive and gently roll the fabric out around the condenser unit as shown. Press the fabric onto the second magnetic strip.

**Step 4:** Trim the fabric about 1" beyond the edge of the second magnetic strip as shown. You can reposition the fabric one end at a time to adjust the fit.

**Step 5:** Trim the fabric about 1" above the top edge of the coil opening or along the top of the condenser unit, as shown below.



**Step 6:** Use heavy duty shears or side cutters to cut the gray cover tracks to match the height of the magnetic tracks on your unit.

**Step 7:** Orient the cover track with the ribbed edge facing **away from the filter screen** (see inset 7 below) and center it directly over the magnetic track.

**Step 8:** Starting at the top, press hard alternately on the left and right humps of the cover track so it snaps over the magnetic track, locking the filter screen in between. Work your way down pressing in a zig-zag pattern as shown below. **Repeat Steps 7 and 8 for the second cover strip.**

**Step 9:** Lift the edge of the cover track assembly to release it from the condenser unit and turn it over so the dark colored magnetic base is facing you (see inset 9 below). Using your thumbs, alternately press on the left and right edges to make sure they are locked inside the cover track. Work from top to bottom, then replace the track assembly onto the condenser unit. **Repeat this step for the second track assembly.**

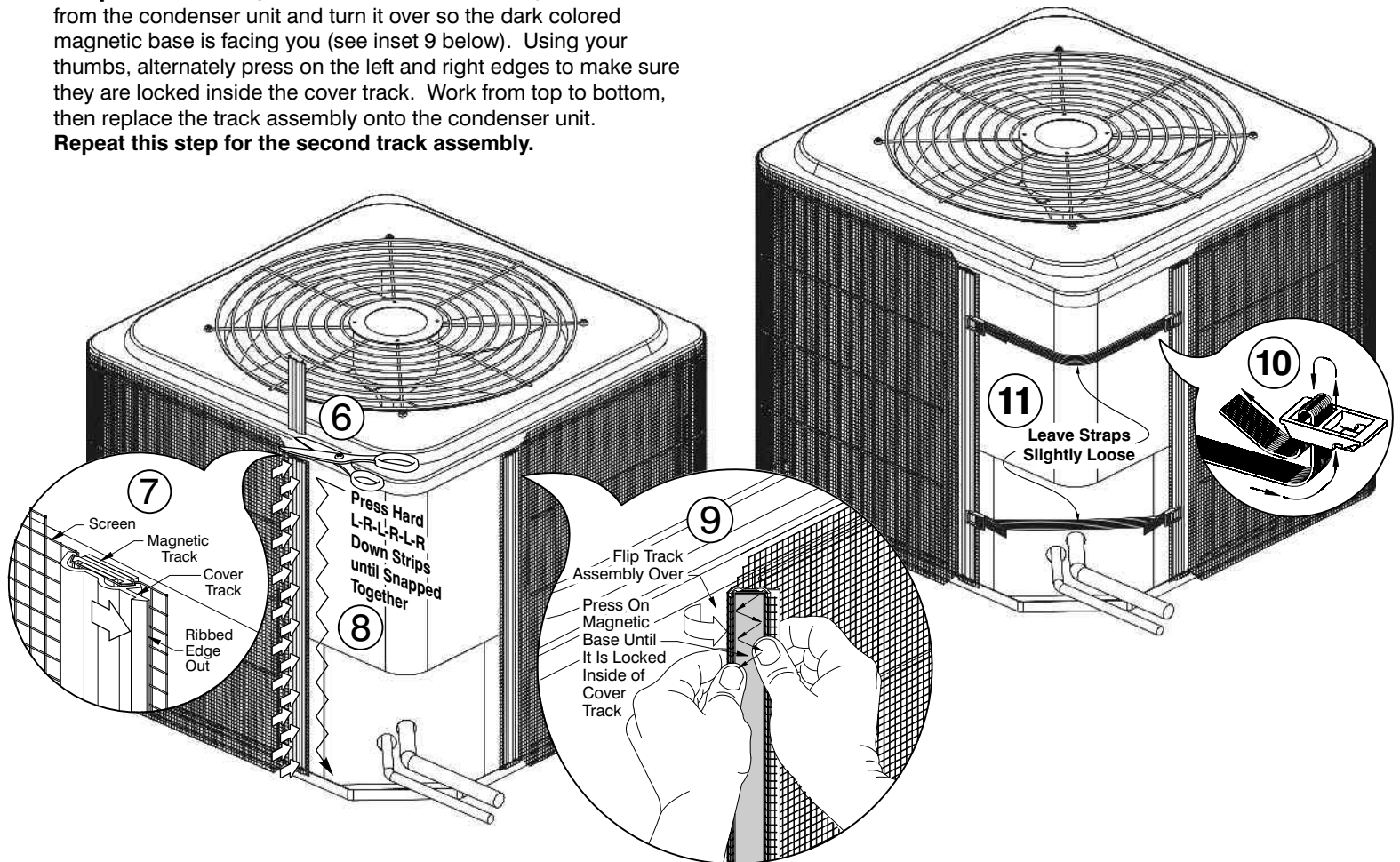
**Step 10:** Assemble a clip onto each end of the two straps. Thread the end of the strap up through the center slot and down through the rear slot of each clip (see inset 10 below).

**Step 11:** Attach the clips anywhere along the ribbed edges of the cover strips. Take out the slack, **but don't pull the straps tight**, as constant tension can distort the magnetic tracks. The straps are only needed during very high winds. The magnetic tracks will hold securely for ordinary weather.

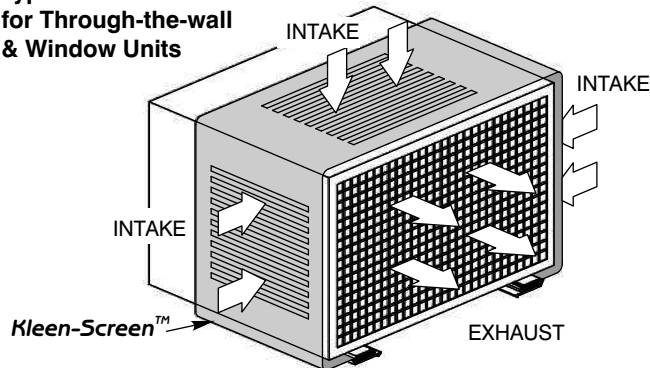
**Your Installation now is complete!**

**For other types of units, see typical installations below.**

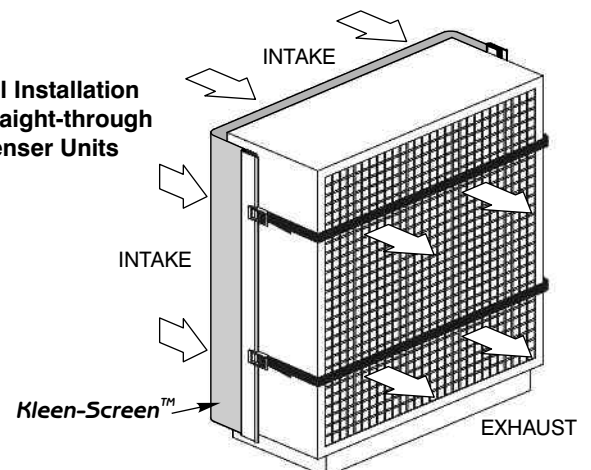
See reverse side for *Kleen-Screen™ Use & Care Guide*



**Typical Installation for Through-the-wall & Window Units**



**Typical Installation for Straight-through Condenser Units**



# Kleen-Screen<sup>Patented™</sup> USE & CARE GUIDE

**GETTING A CLEAN START:** To get the full benefit of the *Kleen-Screen™* your coils must be clean to start with. If your coils are already clogged, you will need to clean them yourself or have them professionally cleaned by a local heat and air company. Otherwise, you won't get the full energy savings that *Kleen-Screen™* has to offer! If you want to clean your coils yourself, there are some important safety steps and techniques you should know. Visit the following web address for a very informative step-by-step article with photos showing how to do-it-yourself: [www.rd.com/17591/article17591.html](http://www.rd.com/17591/article17591.html) (Also linked on the *Kleen-Screen™* page at [www.bpghome.com](http://www.bpghome.com))

## I. CARE AND CLEANING

It is normal for debris to collect on the *Kleen-Screen™* surface. Check weekly to see if debris have collected and cleaning is needed, especially in high season when there is a lot of airborne fibers. Note: Rain will often wash the front and sides clean, but not the side facing the wall. So be sure to look at the back side, too! Whenever debris have collected on the *Kleen-Screen™*, just remove them with brush, broom, or water spray:

### A. Cleaning with a Brush or Broom

**Step 1:** Turn off power to your unit to stop the fan by setting your indoor thermostat from the "cool" position to the "off" position. You should never clean your a/c unit while the fan is running, because the suction from the fan will make it harder to remove the debris and because some debris may be sucked through the *Kleen-Screen™* and into your coils.

**Step 2:** When the fan is fully stopped, simply brush the debris off with a soft brush (Fig. 1) or soft broom (Fig. 2) using gentle downward strokes as you go around the unit. See below.

**Step 3:** After cleaning, set your thermostat back to "cool."

Figure 1: Cleaning with a brush.



Figure 2: Cleaning with a broom.



Figure 3: Cleaning with a spray.



### B. Cleaning with a Water Spray

**WARNING! Before spraying water on your condenser unit, disconnect the power at the circuit breaker to avoid risk of death or injury from electric shock!**

**Step 1:** Move your thermostat switch from "cool" to "off", then find the circuit breaker(s) in your main breaker box that control the A/C condenser and shut off the power by flipping the circuit breaker(s) to the "off" position.

**Step 2:** Use a gentle shower type spray pattern and spray at a steep downward angle to push debris off. See Figure 3 below. (Do not spray directly at the screen or you might push debris through the screen and into the coils!) Spray from top to bottom using the steep down-ward angle shown. Avoid spraying the fan motor, breaker box, and the electrical into the condenser unit.

**Step 3:** After cleaning, wait for the water to drain away from the condenser unit. Then set your circuit breaker(s) back to the "on" position and move your thermostat switch from "off" to "cool" position.

## II. ANNUAL COIL INSPECTION & CLEANING

Once every year you should remove the *Kleen-Screen™* and inspect the condition of your coils. It is normal that some small amount of debris and dirt will pass through or around the *Kleen-Screen™* and get on your coils. This should be easily removed by first using a shop vacuum with a soft brush attachment to remove any visible fibers, then by following steps 1, 2 and 3 above to wash away dust and dirt using a gentle water spray.

**WARNING! Read warning and disconnect power before washing down your condenser coils!**

## III. REMOVAL & STORAGE

The magnetic strips make *Kleen-Screen™* easy to remove and replace for a thorough cleaning or for optional winter storage.

### A. Removal

To remove your *Kleen-Screen™* just loosen the straps, then rock each clip upward to un-clip it from the cover strips. Lift each cover strip to release the magnet from the condenser unit.

### B. Storage

For optional winter storage, remove the *Kleen-Screen™* and roll the screen loosely onto one cover strip. Store the rolled *Kleen-Screen™* and straps indoors. Lay the rolled unit flat on a smooth, dry, horizontal surface.



## More Innovative Home Improvement Products from BPG:

### Versa Lift Ultimate Home Storage System

The **Versa Lift** is the ultimate solution to your storage problems. Now you can organize your home and your garage by storing everything from seasonal items to holiday decorations and bulky storage boxes in the attic, out of sight, all with push-button ease!

**Versa Lift** eliminates the hazards of carrying your storage items up a steep shaky ladder, and it does the work in seconds! Just push the button to send things out of sight... or bring them back. It's so easy, **Versa Lift** makes organizing and storage fun!



Winner of

**Popular Mechanics**  
TODAY'S ANSWERS FOR CURIOUS MINDS  
**PM** EDITOR'S CHOICE AWARDS 08

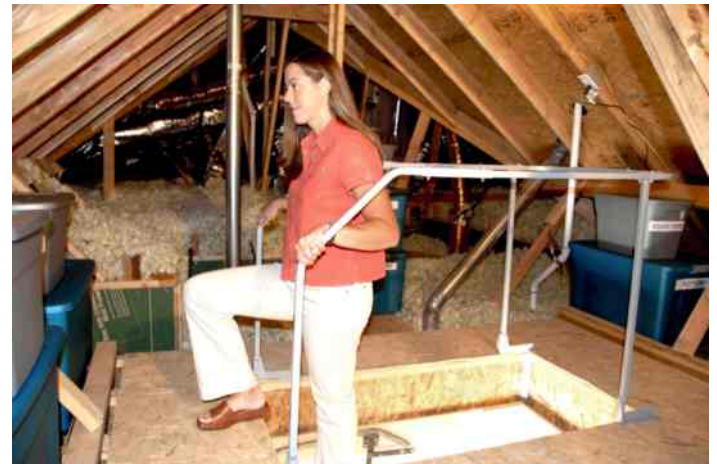
"Outstanding Achievement in New Product Design and Innovation!"



### Versa-Rail Attic Ladder Safety Railing

**Versa Rail** is a sturdy steel safety railing for your attic ladder. The dual grab bars provide comfort and security when you enter or exit the attic via the steep ladder. In addition, the **Versa Rail** forms a guard railing that puts a safety barrier between you and the dangerous ladder opening while you work in the attic!

The **Versa Rail** is fully adjustable to fit virtually all attic ladder openings. Don't risk injury! The **Versa Rail** is an easy do-it-yourself project that will make your attic easier and safer to use!



**FireBrite** 3-panel mirrored fireback reflects the heat lost into the walls of your fireplace. You feel more heat, see more flames!



**INCREASE HEAT,  
SAVE ENERGY!**

To see our videos and learn more, visit: [www.bpghome.com](http://www.bpghome.com)

US Patent No. 7,387,654

**Kleen-Screen™** is protected by US Patent Number 7,387,654.

**Kleen-Screen™** is the trademark of Byers Products Group of Oklahoma City, OK. Copyright © 2009 BPG. All rights are reserved.

**BPG**  
Byers Products Group

P. O. Box 270366  
OK City, OK 73137  
Ph: 405-491-8550  
Fax: 405-491-0180  
[www.bpghome.com](http://www.bpghome.com)

### **Kleen-Screen™** 2 Year Limited Warranty

**What This Warranty Covers:** BPG warrants to the original purchaser that our products are free from defects in material or workmanship.

**What This Warranty Does Not Cover:** This warranty applies only to the original purchaser and is valid only when the **Kleen-Screen™** is installed exactly according to the Installation Guide. This warranty does not cover damages caused by misuse, improper installation, neglect, or ordinary wear and tear. BPG is not responsible for smudges, scratches, fading or discoloration of painted surfaces that may result from long-term contact between the magnetic strips and the condenser unit.

**Length of Warranty:** This two-year warranty begins on the date you purchase this product.

**What BPG Will Do To Correct To Correct The Problem:** If the original purchaser receives a defective **Kleen-Screen™** product, BPG will replace it with an equivalent product upon receipt of the defective product. The original purchaser shall pay shipping costs to return the defective product to BPG, as well as shipping and handling costs for the replacement product.

**Customer Warranty Service:** If you are the original purchaser and believe you have a defective **Kleen-Screen™** product under the terms of this warranty, please provide your name, address, telephone number and a check for \$7.95 to cover shipping and handling costs and ship the defective product to: BPG, 5555 Morton Ave, Oklahoma City, OK 73128

**State Law:** This warranty gives you specific legal rights, and you may also have other rights which vary from state to state. Some states do not allow the exclusion of incidental or consequential damages, so the above limitations or exclusions may not apply to you.